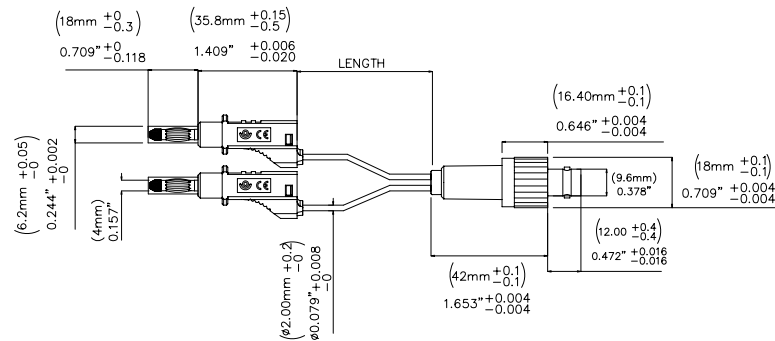


**Models 72909**  
**IEC Insulated BNC (F) to stackable/retractable 4 mm**



**Features**

- IEC Insulated BNC (F) to stackable/retractable 4 mm plugs
- Length 10in (25cm)

**Materials**

- Connector body: Nickel plated Brass
- Center Contact: Gold Plated Brass
- Dielectric: White PTFE
- Plug spring: Nickel plated bronze Beryllium copper.
- Plug Body: Nickel plated Brass
- Insulation: Nylon
- Wire: Silicone

**Specifications**

Max Temperature	85°
Max Current	6A
Max Voltage	30 V AC / 70 V DC

**Rating:** *hands free testing* in controlled environment: 70Vrms max. For CE compliance: Not intended for hand-held use at voltages above 33Vrms/70Vdc

**Information**

Model: 72909